

SAS-4214

HEAVY DUTY METAL CASE SOLENOID SWITCH 100 AMPS 12 VDC SPST-NO

AMETEK/Prestolite Switch SAS Solenoid Switches are designed to switch inductive loads in DC circuits up to 36 volts. This metal-enclosed switch employs a moving contact disk for high performance at an economical price, and is suitable for use with a wide variety of DC traction and hydraulic pump motors.

CONSTRUCTION

Case/Bracket Material	0.065 In Steel
Mounting Brackets	Flat
Case/Bracket Plating	Clear Zinc
Mounting Provisions	0.28 X 0.46 In Slots
Mounting Centers	2.32 In
Weight	16 Oz

COIL

Nominal Voltage	12 VDC
Duty	Continuous (100%)
Maximum "On" Time	N/A
Pickup Voltage (Max)	9.0 VDC
Dropout Voltage (Max)	4.5 VDC
Resistance (@ 25 Deg C)	14.5 Ohms
Current	0.83 Amps
Power	10 Watts
Terminal Material	Stainless Steel
Terminal Size	(2) #10 – 32 x 0.26
Maximum Torque	20 In-Lb

CONTACTS

Configuration	SPST-NO
Voltage	12 VDC
Continuous Current Rating	100 Amps
Inrush Current	600 Amps
Break Current	200 Amps
Typical Voltage Drop (@ 50A)	100 mV
Electrical Life	50,000 Cycles
Contact Disk Material	Copper
Contact Disk Plating	None
Stationary Contact Material	Copper
Terminal Material	Copper
Terminal Size	(2) 5/16 – 24 x 0.40
Maximum Torque	40 In-Lb



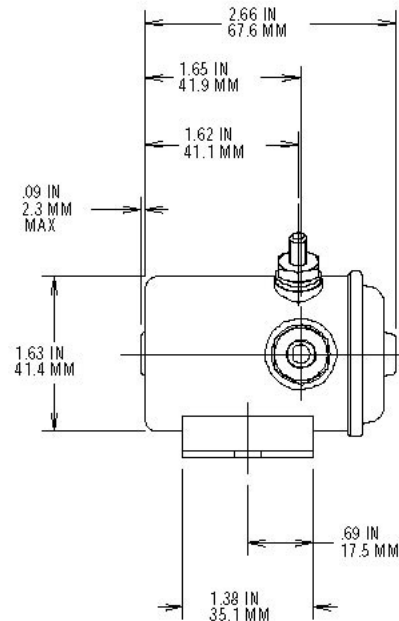
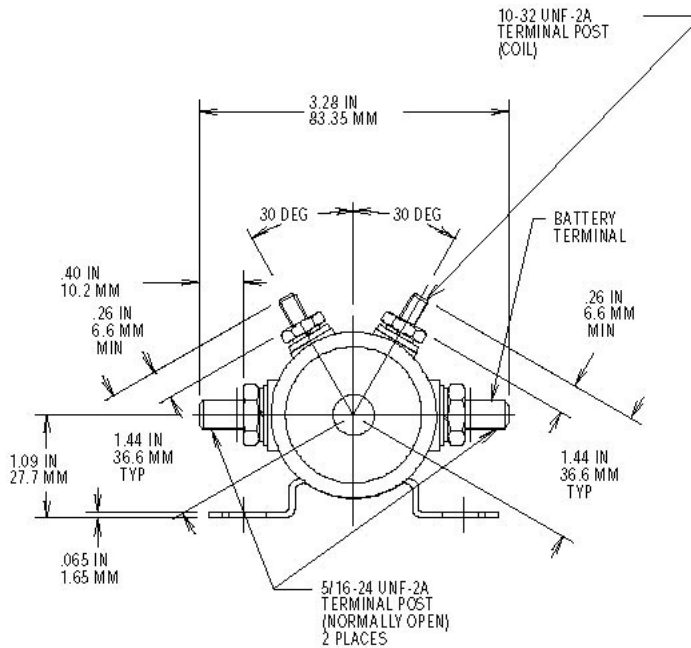
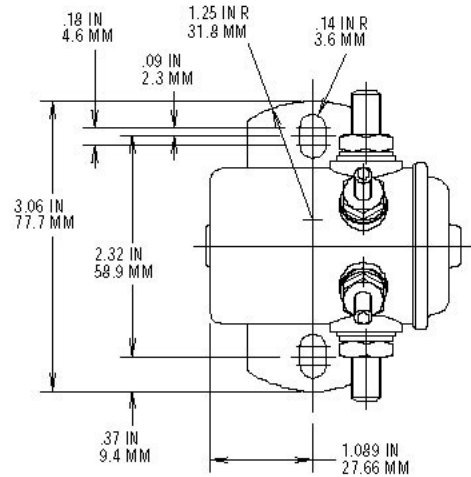
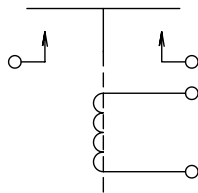
SAS-4214

Dimensions

SAS-4214

Approximate Dimensions Only - Not to Be Used for Design or Construction

Wiring Diagram



AMETEK/Prestolite Switch, US Office
2220 Corporate Drive, Troy, Ohio 45373
OEM Sales (937) 440-0843 Fax: (937) 440-0881
Aftermarket Sales 866-879-3204 Fax: 866-879-3205
E-Mail: orders.prestoliteswitch@ametek.com

AMETEK/Prestolite Switch, International Sales
Ipswich Road, Cardiff CF239XP, Wales, UK
44 (0) 29 2049 6763 Fax: 44 (0) 29 2046 2337
E-Mail: cardiff@prestolite.co.uk